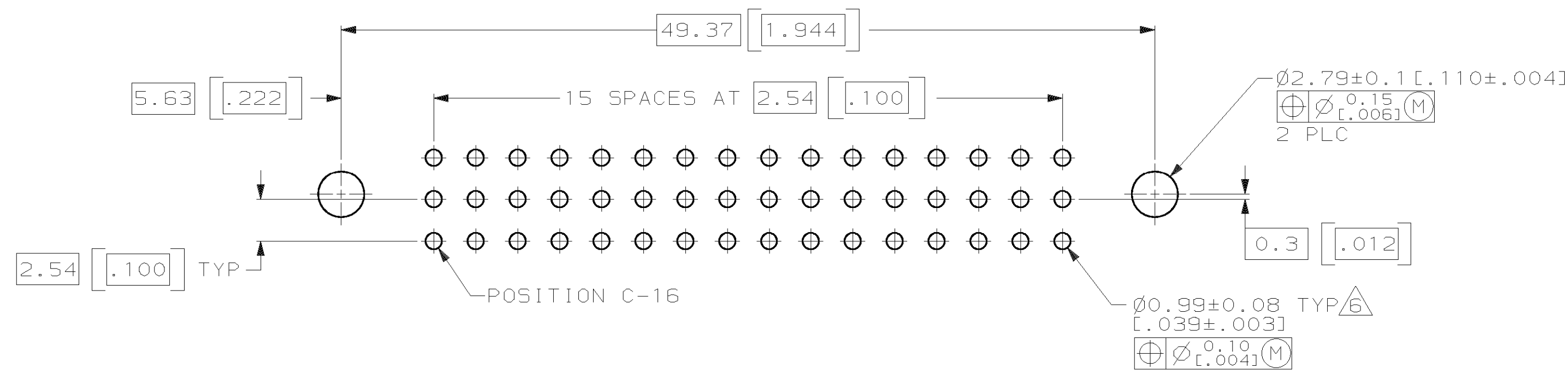
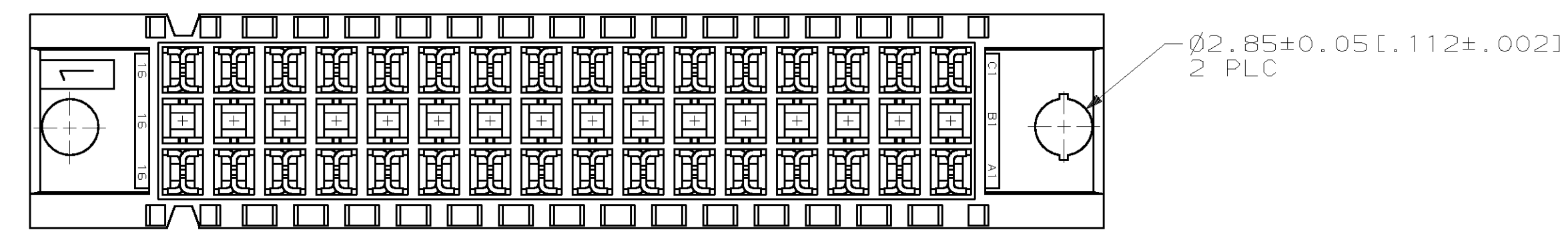
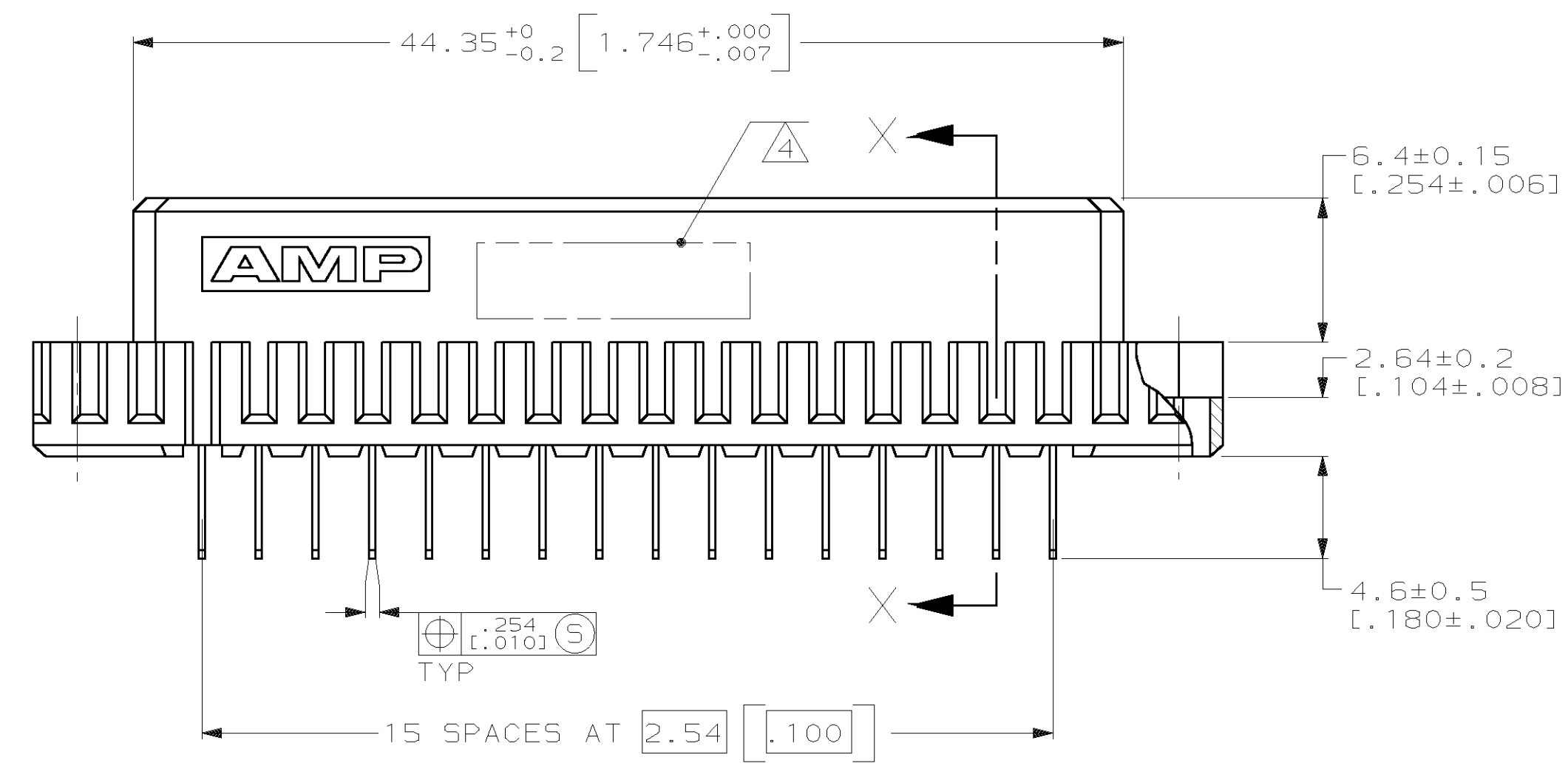
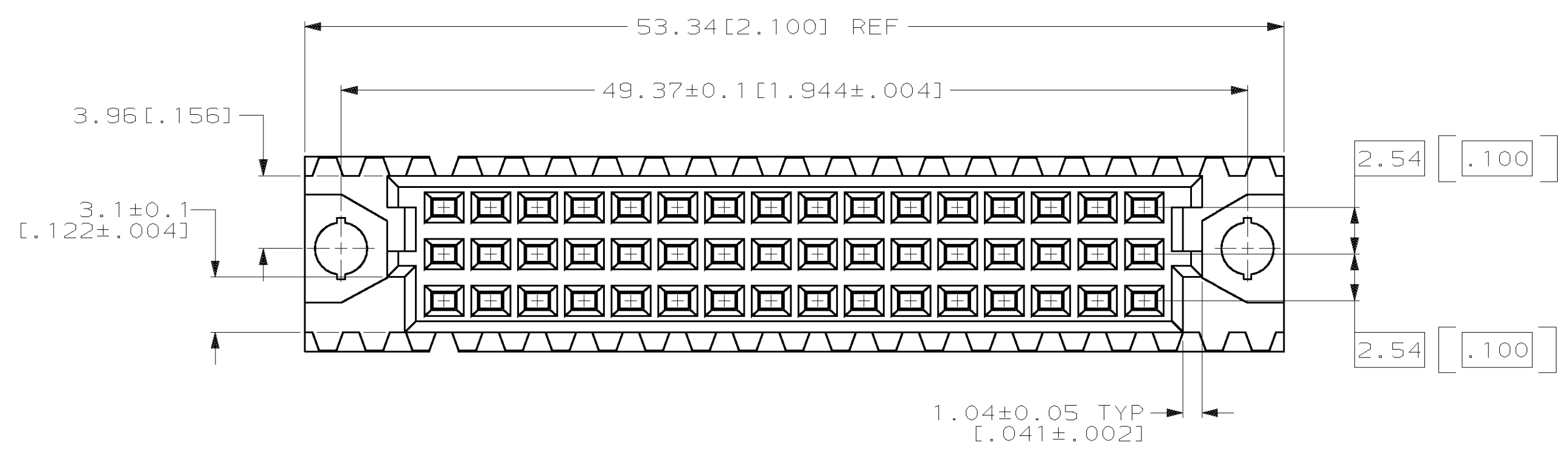
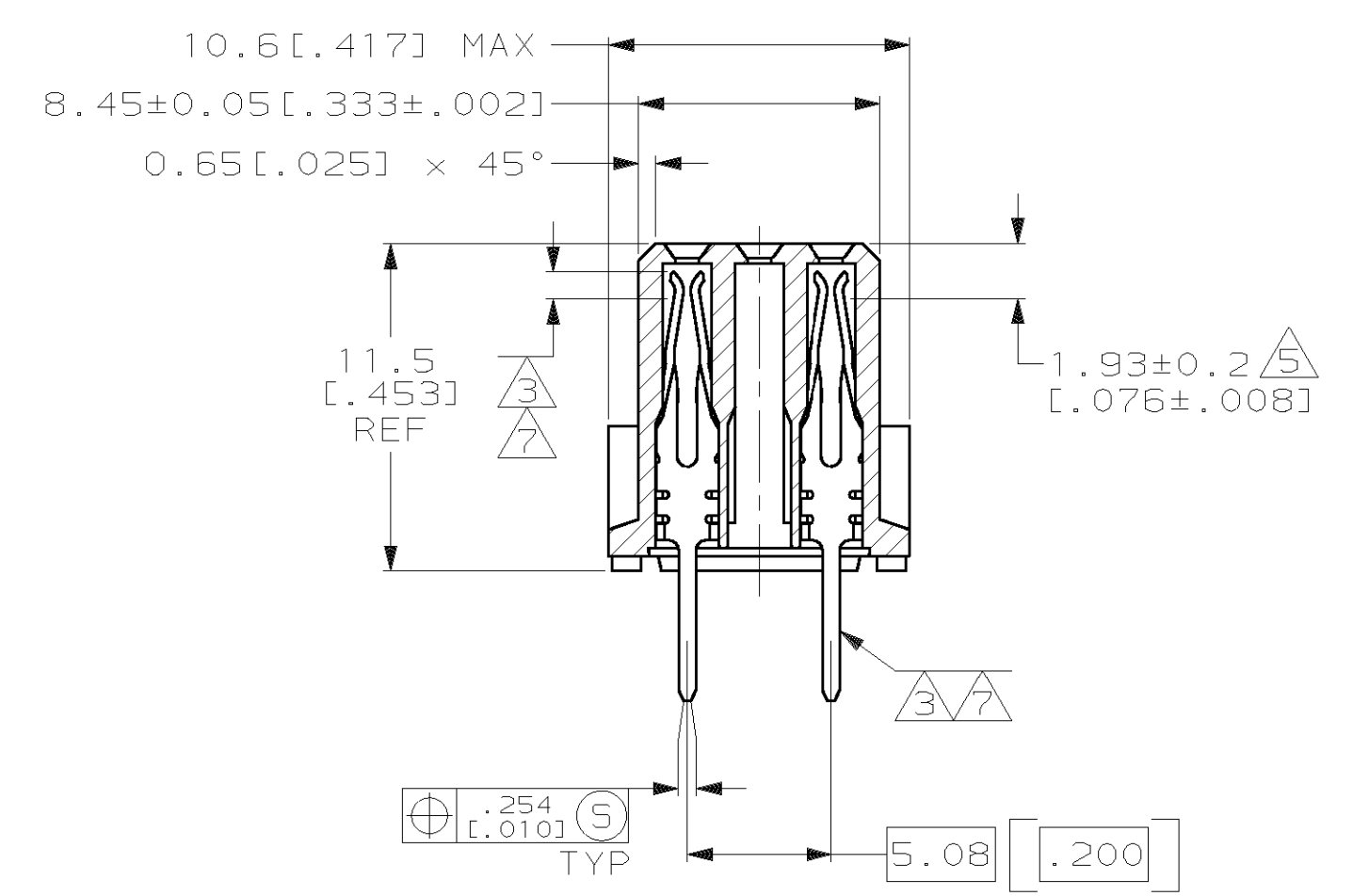


LOC		DIST		P		F		ZONE		LTR		REVISIONS			
AD	25											DESCRIPTION	DATE	APPD	
												E	EC 0504-0113-96	12/13/96	CR
												F	REV PER EC 0U1B-0367-00	09 JAN 01	CR



- 1 HOUSING MATERIAL: GLASS-FILLED POLYESTER. COLOR: GRAY.
- 2 CONTACT MATERIAL: PHOSPHOR BRONZE.
- 3 CONTACT FINISH: 0.00076[.000030] GOLD IN CONTACT AREA. 0.00127[.000050] NICKEL UNDERPLATE ALL OVER. TIN-LEAD ON POSTS.
- 4 PART NUMBER, DATE CODE IDENTIFICATION, CSA LOGO IN THIS APPROXIMATE AREA ON REVERSE SIDE.
- 5 POINT OF MEASUREMENT FOR GOLD.
- 6 RECOMMENDED HOLE SIZE FOR MANUAL APPLICATION OF CONNECTOR ONTO PC BOARD.
- 7 CONTACT FINISH: DIN 41612 CLASS 2 IN CONTACT AREA. TIN-LEAD ON POSTS.



SECTION X-X

POSITIONS LOADED	C	B	A	NO. OF LOADED POSITION	ASSY PART NUMBER
	1 THRU 16	X	-		
1 THRU 16	X	-	X	32	650466-4

DO NOT SCALE PRINT. UNLESS SPECIFIED DIMENSIONS IN mm INCHES. TOLERANCES ON:		DR L. BRINER 3/12/90		AMP INCORPORATED Harrisburg, Pa. 17105	
1 PLC DEC ± -		CHK C. RICHARD 1/23/96			
2 PLC DEC ±0.13[.005]		APPD C. RICHARD 1/23/96		NAME	
ANGLES ± -		APPD C. RICHARD 1/23/96		RECEPTACLE ASSEMBLY, EUROCARD, TYPE "C"	
MATERIAL		PRODUCT SPEC		SIZE	
HSG		-		D 00779	
CONT		-		DRAWING NO	
FINISH		APPLICATION SPEC		650466	
CONT		-		SCALE	
-		-		4:1	
WEIGHT		-		SHEET	
-		-		1 OF 1	